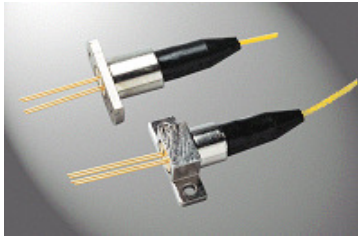


Fiber Pigtailed InGaAs Photodetector

*** Coaxial Module with Vertical/Horizontal Flange**

*** DC ~ >1500MHz**

*** Singlemode or Multimode Fiber Pigtailed**



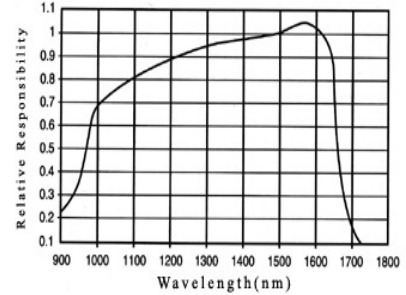
Key Features

- Single mode or multimode optical fiber pigtailed;
- Operating wavelength of 1100 ~ 1650nm;
- High speed response with frequency of DC ~ 1500MHz typical;
- High responsibility and reliability InGaAs PIN chip PD;
- Low capacitance and low dark current;
- TO hermetic, mini coaxial-pigtailed package(or with flanges);
- Wide applications in networking and fiber sensor systems.



Options:

- TO package;
- Large-area PD;
- Pigtailed/without flange;
- FC connectorized PD;



General Specifications(T=25 °C)

Parameters	Value
Wavelength Range(nm)	1100 ~ 1650
Responsivity(A/W)	
@ 1310nm	0.85/0.90
@ 1550nm	0.90
Bandwidth (FWHM)	> 1.5GHz; 2GHz typ.
Rise Time(ns)	< 0.5
Optical Return Loss(dB)	> 40dB
Capacitance(pf, -15V)	< 0.50
Dark Current(nA, -15V)	< 1
Operation Voltage(V)	- 15 ~ -5
Rise Time(ns)	< 0.5
Operation Temperature(°C)	- 40 ~ + 85
Bending Radius(mm)	≥ 30
Fiber Length(m)	1.15 min; 1.25 max

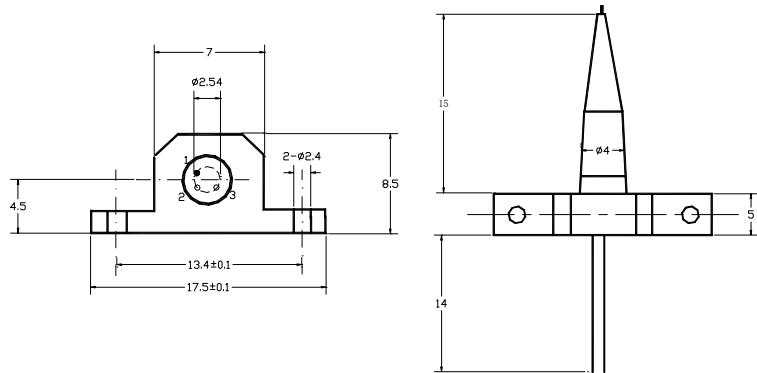
Absolute Maximum Ratings(T=25 °C)	
Input Optical Power(mw)	3
Reverse Bias Voltage(V)	- 20
Lead Soldering Temperature(°C)	250
Lead Soldering Duration(s)	5.5

Fiber Pigtail Selections:	9/125µm; 50/125µm; 62.5/125µm;
Connector Selections:	FC/UPC FC/APC SC/UPC SC/APC Others

Standard Package Dimension

- * Standard type(as shown left):
Horizontal flange/bracket
(Vertical type available upon request)

Pin No.	Pin Definition
1	CASE
2	PD Cathode
3	PD Anode



Ordering Information:

PDC – x – 985 – xx/xx
 S: SM Connector Type
 M: MM

