

# Two Adjuster Kinematic Mirror Mounts

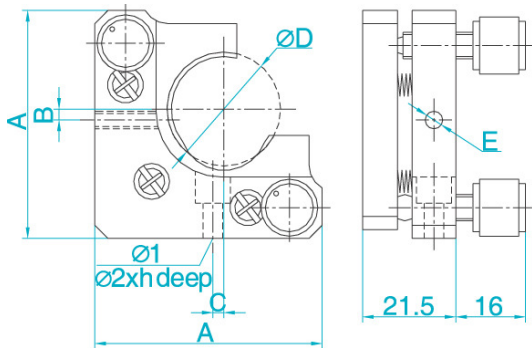
- Highly Stable Design
- Both Open Corner and Closed Corner Available
- PHOTONIK PKM Series

Photonik offers a variety of two-adjuster kinematic mirror mounts, which are most popular for routine laboratory applications.

## Features:

- 3-Point contact securely supports
- $\pm 4^\circ$  angular range
- Brass inserts & 1/4"-80 stainless steel adjuster screws
- Hardened steel inserts at kinematic contact points reduce wear
- Left-hand and Right-hand mountable
- Nylon tipped locking screw

## PKMO Series - Open Corner Kinematic Mirror Mounts



PKMO-50.8

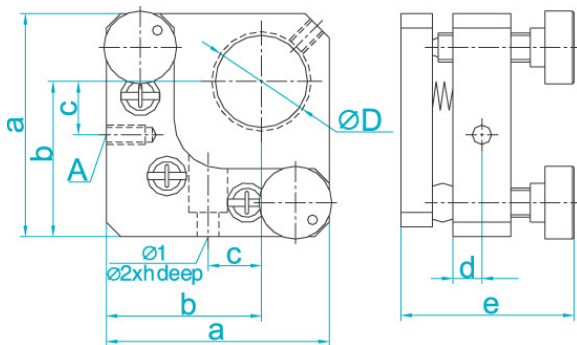
PKMO-25.4

PKMO-20



P/N	A x A (mm)	B (mm)	C (mm)	ØD (mm)	E	Ø1/Ø2 x h (mm)	Weight (g)
PKMO-20	44 x 44	4	2.5	20	M4	4.5/8 x 4.5	60
PKMO-25.4	52 x 52	2.5	2.5	25.4	M4	4.5/8 x 4.5	80
PKMO-30	52 x 52	2.5	2.5	30	M4	4.5/8 x 4.5	85
PKMO-40	62 x 62	1	1	40	M4	4.5/8 x 4.5	95
PKMO-50.8	72 x 72	0	0	50.8	M6	7/11 x 6	150

## PKMC Series – Closed Corner Kinematic Mirror Mounts



PKMC-50.8

PKMC-25.4

PKMC-20



P/N	A	ØD (mm)	a (mm)	b (mm)	c (mm)	d (mm)	e (mm)	Ø1/Ø2 x h (mm)	Weight (g)
PKMC-20	M4	20	46	32	11	6	36	4.5/8 x 4.5	80
PKMC-25.4	M4	25.4	52	36	11	6	36	4.5/8 x 4.5	95
PKMC-30	M4	30	60	41	11	6	36	4.5/8 x 4.5	120
PKMC-38.1	M4	38.1	70	47	12	6	36	4.5/8 x 4.5	145
PKMC-40	M4	40	70	47	12	6	36	4.5/8 x 4.5	145
PKMC-50.8	M6	50.8	82	53	18	7.5	41	7/11 x 6	150