

Pitch & Yaw Platform

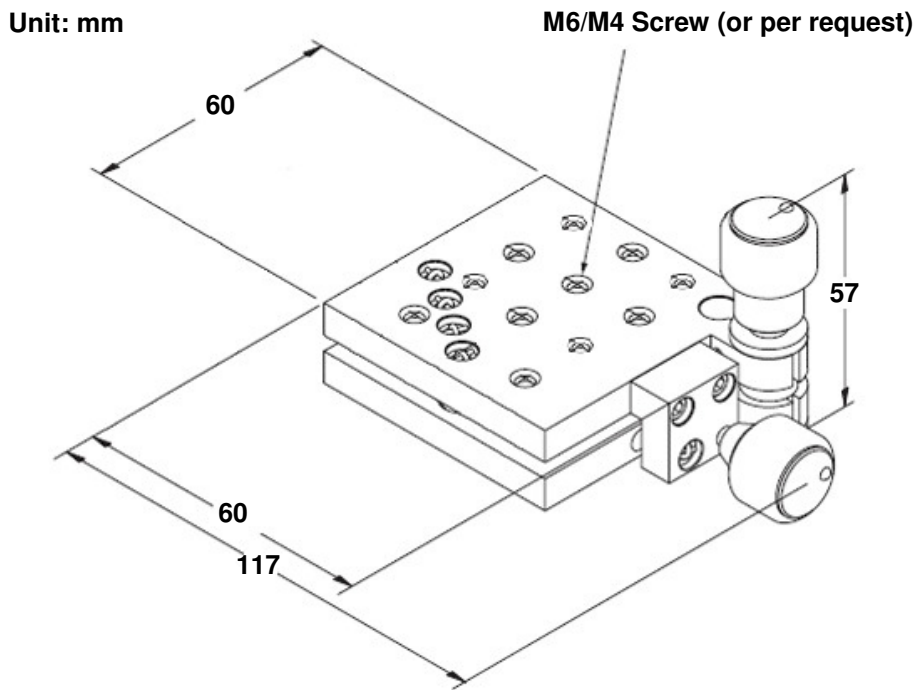


Key Features:

- 7° Pitch and Yaw Motion
- 10 arc Seconds Resolution
- Effective 3-axis to 5-axis Stage Upgrade

Main Applications:

The platforms can provide both pitch and yaw adjustment. They are designed specifically to offer a low-cost five-axis solution when used in conjunction with the 3-axis translation platform.



All the dimensions can be fabricated per your request, and the same with the interface layout.

Contact Information:

PHOTONIK (SINGAPORE) PTE LTD

8 Boon Lay Way, TradeHub 21, #04-04, Singapore 609964
Tel: +65-6316-6370, +65-6316-2142 Fax: +65-6316-1082
Email: sales@photonik.com.sg Web: www.photonik.com.sg

Local Representative:

