

Manual Filter Wheels

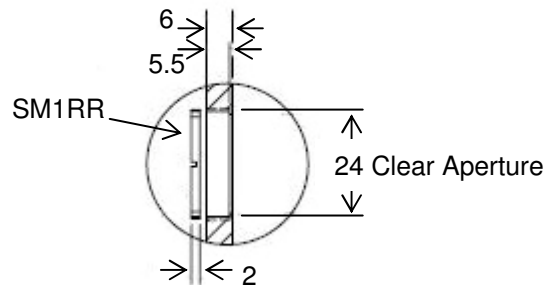
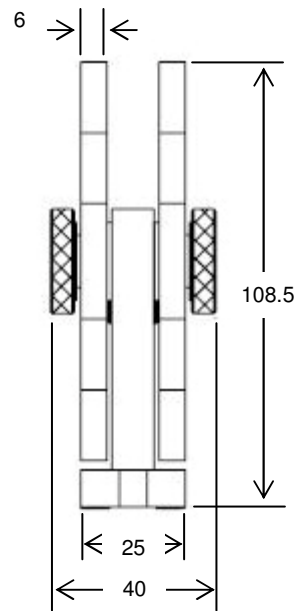
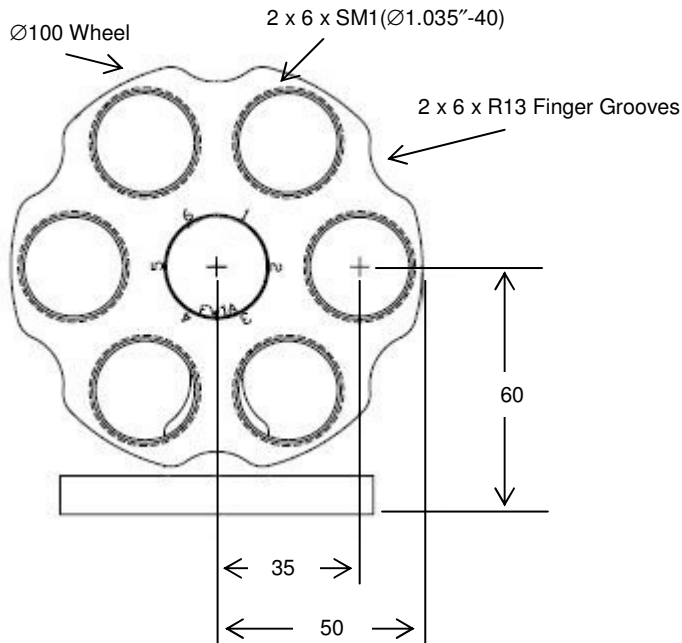


Key Features:

- Precise mechanical indexing
- Six and Twelve active $\varnothing 1"$ filter stations
- SM1(1.035"-40) filter mounting station and retaining ring included

Main Applications:

Commonly used with a series of ND or chromatic filters, changing optical intensity attenuation or wavelength range is as easy as indexing the wheel.



Contact Information:

PHOTONIK (SINGAPORE) PTE LTD

8 Boon Lay Way, TradeHub 21, #04-04, Singapore 609964
Tel: +65-6316-6370, +65-6316-2142 Fax: +65-6316-1082
Email: sales@photonik.com.sg Web: www.photonik.com.sg

Local Representative:

