

BROADBAND LIGHT SOURCE

ASE, C + L BAND, Benchtop

(Module or 1U Rack Version Available)

PHOTONIK ^{hy}

PHOTONIK SPECTRUM WORLD



RoHS Compliant



Complies to

Telcordia GR-1312-CORE Standard

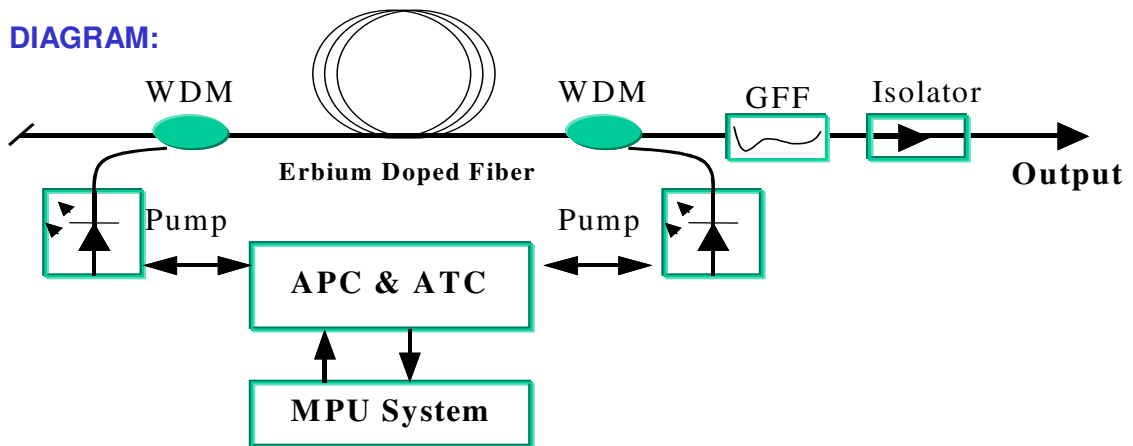
FEATURES:

- Plug & play – userfriendly
- High power output & power density
- High stability; ATC & APC/ATC control
- Super spectrum flatness after flatten
- Easy control with dual-MPU
- Built-in isolator
- Simple user-interface RS232
- LCD display

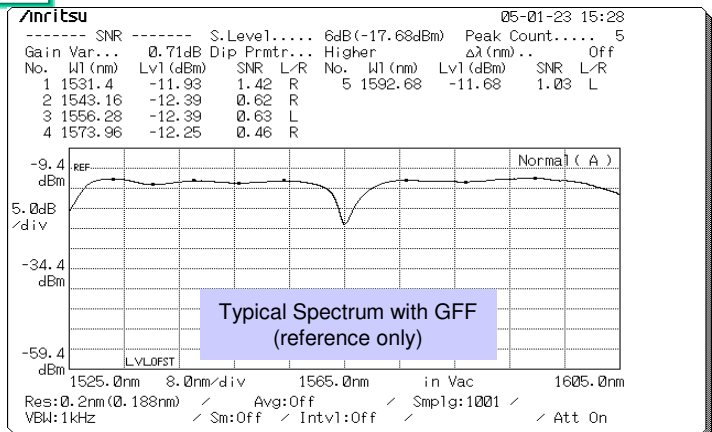
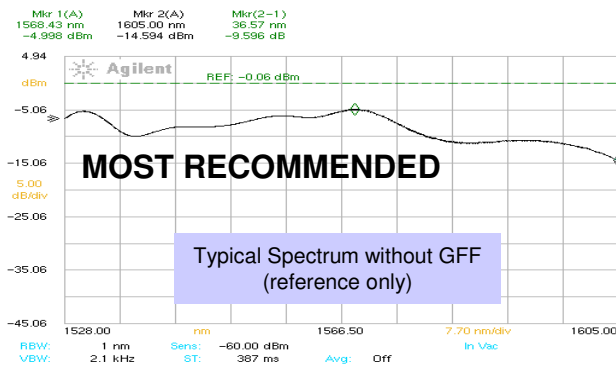
APPLICATIONS:

- Optical fiber gyro or fiber sensor systems
- Fiber grating or DWDM filter testing
- R & D environment, or laboratory - experimental or education use
- Testing environment for passive fiber optic components and equipment manufacturers

SYSTEM DIAGRAM:



TYPICAL SPECTRUM:



* the delivered spectrum could be better than sample.

BROADBAND LIGHT SOURCE

ASE, C + L BAND, Benchtop

(Module or 1U Rack Version Available)

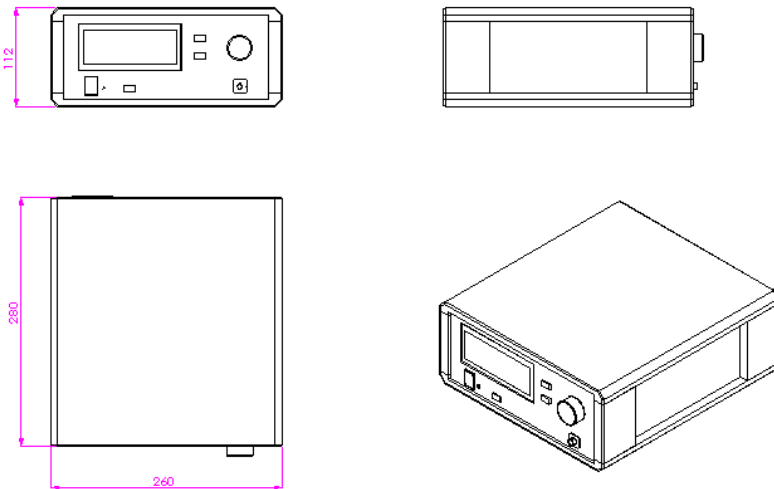
PHOTONIK^{hy}

PHOTONIK SPECTRUM WORLD

GENERAL SPECIFICATIONS:

| PARAMETER | UNIT | MIN | TYPICAL | MAX |
|-------------------------------|--------|--|-----------|-------|
| Optical Wavelength | nm | 1525 | -- | 1610 |
| Total Output Power | dBm | P_o : 10 ~ 20 (or 10mW ~ 100mW) (or special request) | | |
| Spectrum Flatness | dB | NF : <10dB (non-GFF); GF : ± 1dB (after GFF) optional | | |
| Power Stability | dB | ± 0.005(5 min), +/-0.02(8 hrs) | | |
| Spectrum Density | dBm/nm | > 0 (peak) typ.; > - 10 typ. (valley) (depends power rating) | | |
| Polarization | dB | < 0.1 | | |
| Return Loss | dB | 45 | | 55 |
| Temperature Stability (TEC) | °C | | ±0.10 typ | ±0.20 |
| Output Connector | | F/P : FC/UPC; F/A : FC/APC; S/P : SC/UPC; S/A : SC/APC or others | | |
| Operation Temperature | °C | 0 | | 60 |
| Operation Humidity | % | 5 | | 95 |
| Storage Temperature | °C | - 40 | | 80 |
| Power Requirement/Consumption | | 80 ~260Vac, 50 ~ 60Hz; 15W max | | |
| Dimension (W x D x H) | mm | 260.0 x 280.0 x 112.0 | | |

MECHANICAL DRAWING (Unit: mm):



ORDERING INFORMATION:

P – ASE – C/L – X – Y – Z

X indicates **P_o**: 10 =10mW; 20=20mW ...100=100mW

Y indicates **NF** (non-GFF) or **GF** (with GFF)

Z indicates **F/P**: FC/UPC; **F/A**: FC/APC; **S/P**: SC/UPC; **S/A**: SC/APC or others upon request

DANGER

INVISIBLE LASER RADIATION
AVOID DIRECT EXPOSURE TO BEAM

MAXIMUM OUTPUT POWER 400mW
WAVE LENGTH 960 to 1680nm
CLASS IIIb LASER PRODUCT

Photonik reserves the rights to change product designs and specifications at any time without notice.

Warranty: 12 months standard for electronics. All products are guaranteed to be free from defects in materials and workmanship for a period of one year from date of purchase. Photonik reserves the right to repair or replace defective products at our option. This warranty does not apply to failure of the product due to misuse, abuse, accident, or neglect. Our liability is limited to the price of the part or service we are providing. Extended warranty upon request.

Contact Information:

PHOTONIK (SINGAPORE) PTE LTD

German Center, #04-102
25 International Business Park
Singapore 609916, The Republic of Singapore
Tel:(65) 6562-7838, 6562-7976 Fax:(65) 6562-7839
sales @ photonik.com.sg www.photonik.com.sg

Local Representative:

