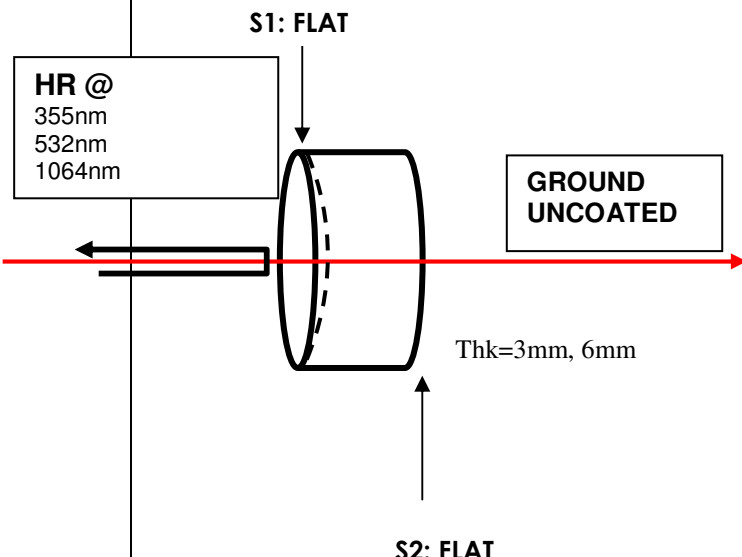


355+532+1064NM FLAT HIGH REFLECTION MIRROR

(HIGH REFLECTION AT 355/532/1064NM)

ITEM	QTY	PART NO./DESCRIPTIONS	
H.		<p>High Reflection Mirrors(High Energy) Substrate: Fused Silica Fine polished – single side: Flatness: 10 λ / @ 633nm over aperture Surface quality: better than 20-10 S/D High energy dielectric coating High reflection coating, 0° AOI HR @ 355nm (R > 99.5%) HR @ 532nm (R > 99.8%) HR @ 1064nm (R > 99.8%) Back surface: ground Including:</p>	
H1.		<p>Diameter: φ15mm (-0.20, +0.00mm); Thickness: 3mm (+/-0.10mm); P/N: PHRM-355310-PP-15/3</p>	
H2.		<p>Diameter: φ12.7mm(-0.20, +0.00mm); Thickness: 6mm (+/-0.10mm); P/N: PHRM-355310-PP-12.7/6</p>	
H3		<p>Diameter: φ25.4mm(-0.20, +0.00mm); Thickness: 6mm (+/-0.10mm); P/N: PHRM-355310-PP-25.4/6</p>	